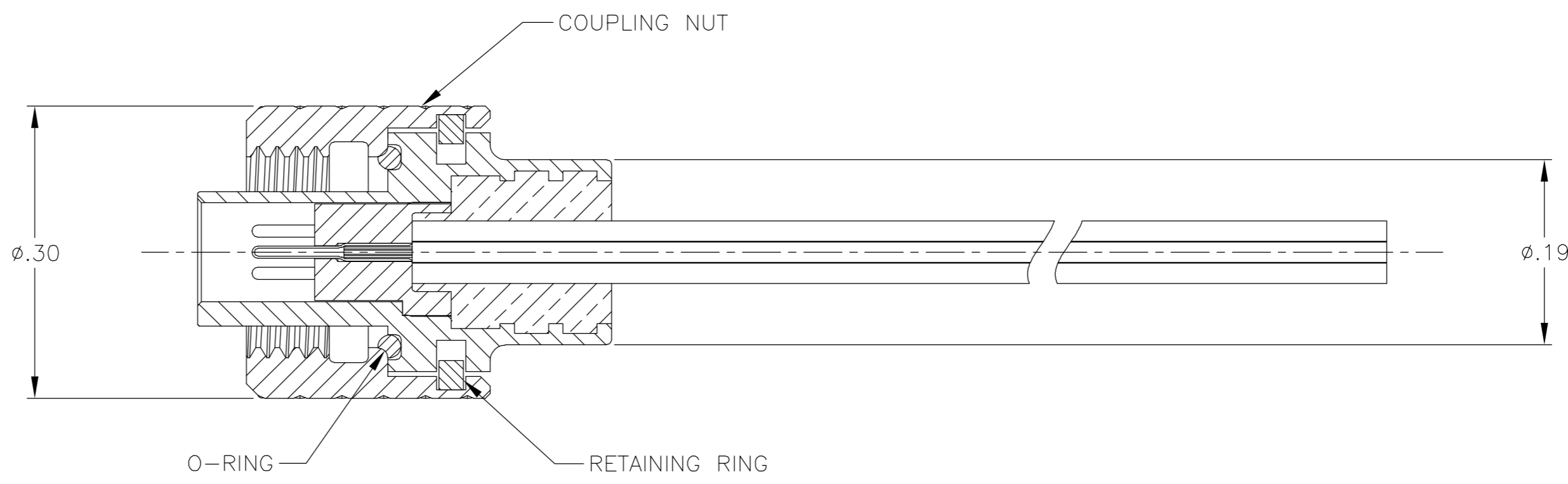
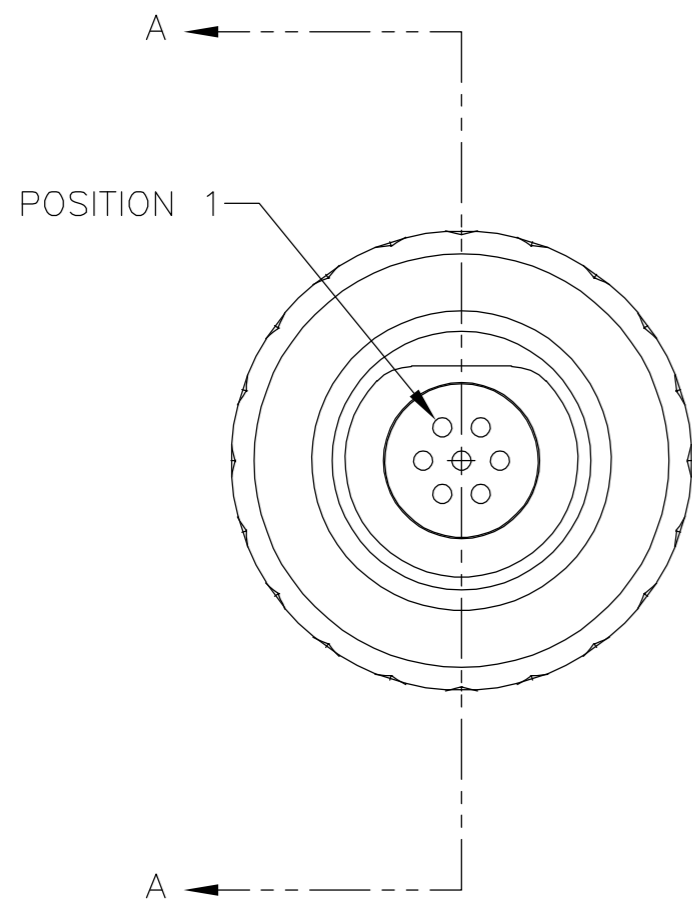
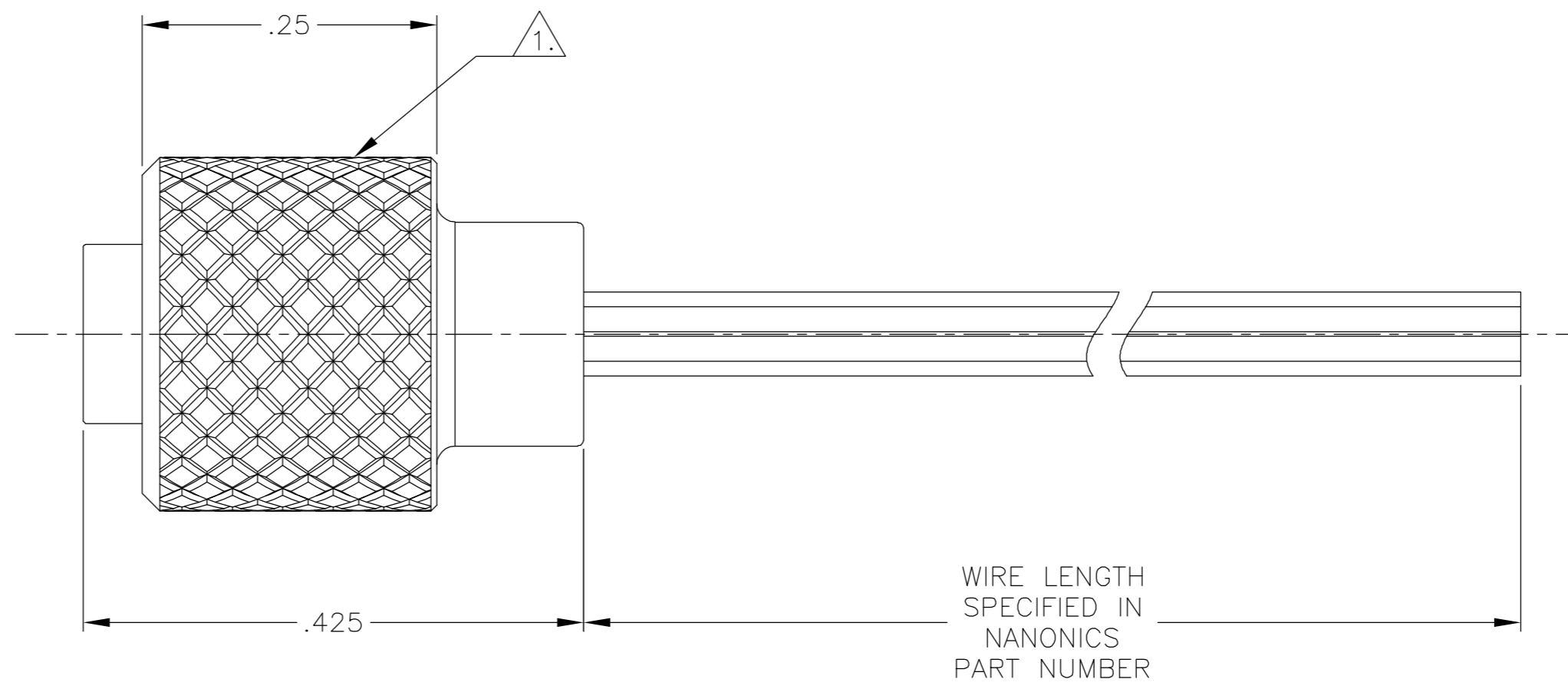
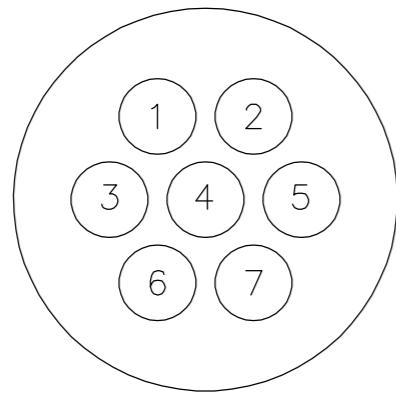


THIS DRAWING IS UNPUBLISHED. RELEASED FOR PUBLICATION
 © COPYRIGHT BY TYCO ELECTRONICS CORPORATION. ALL RIGHTS RESERVED.

LOC		DIST		REVISIONS			
P	LTR	DESCRIPTION	DATE	DWN	APVD		
DF	D0	K	UPDATE PER 0H2Y-0164-04	05-12-04	JDM	MKS	

CONTACT IDENTIFICATION



SECTION A-A

1. CONNECTOR BODY AND COUPLING NUT ARE 6061-T6 ALUMINUM, GOLD PLATED PER MIL-G-45204
 INSULATOR MATERIAL IS LIQUID CRYSTAL POLYMER (LCP) PER MIL-M-24519 OR PER ASTM D5138
 RETAINING RING IS STAINLESS STEEL, PASSIVATED PER SAE-AMS-QQ-P-35. O-RING MATERIAL IS NITRILE.

2. WIRE TERMINATION: 28 AWG SOLID, 30 AWG STRANDED (STANDARD) WIRE OR SMALLER

3. PREVIOUS NANONICS DRAWING NUMBER C66001

THIS DRAWING IS A CONTROLLED DOCUMENT.		DWN D. RYAN 04-28-97	 Tyco Electronics Corporation Harrisburg, PA 17105
DIMENSIONS: INCHES		CHK E. PAULUS 08-29-97	
TOLERANCES UNLESS OTHERWISE SPECIFIED:		APVD M. STORRY 04-24-02	NAME PLUG ASSEMBLY, 7 POSITION, CIRCULAR, NCG SERIES
 0 PLC ± - 1 PLC ± - 2 PLC ± .010 3 PLC ± .005 4 PLC ± - ANGLES ± 1°		PRODUCT SPEC -	SIZE A2
MATERIAL SEE NOTE		FINISH SEE NOTE	CAGE CODE 00779
		WEIGHT -	DRAWING NO C=1589425
		CUSTOMER DRAWING	RESTRICTED TO -
		SCALE 1:1	SHEET 1 OF 1
			REV K

1589425